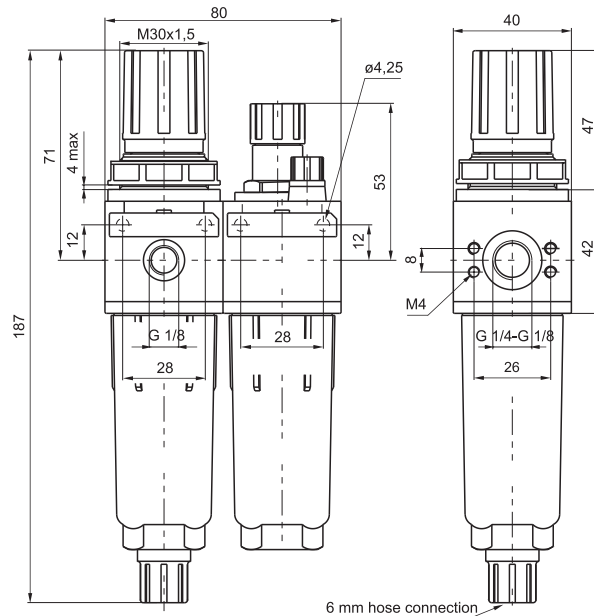


Ordering code

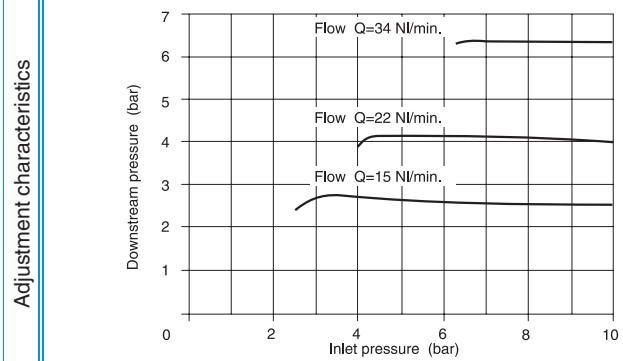
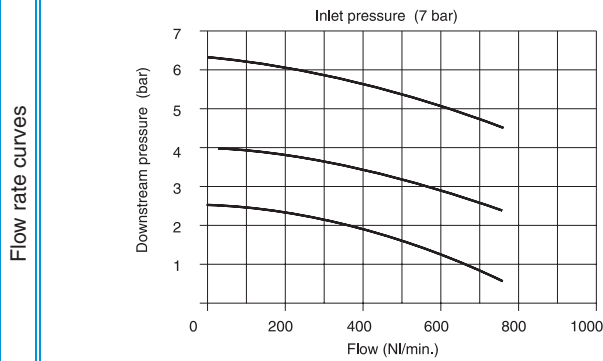
17V06C.S.G.T

- VERSION
- V 0 = Zinc alloy body
1 = Technopolymer body
- CONNECTIONS
- C A = G 1/8"
B = G 1/4"
- Filter pore size
- S A = 5
B = 20
C = 50
- ADJUSTING RANGE
- G A = 0 - 2 bar
B = 0 - 4 bar
C = 0 - 8 bar
D = 0 - 12 bar
- TYPE
- P = Bowl protection
- T S = Automatic drain
PS = Bowl protection and Automatic drain



Example: 17106A.B.C.P

Service unit combination complete with filter - pressure regulator and lubricator size 1 G 1/8i connections, filter pore size 20 , adjusting range 0-8 bar and bowl protections with technopolymer body.

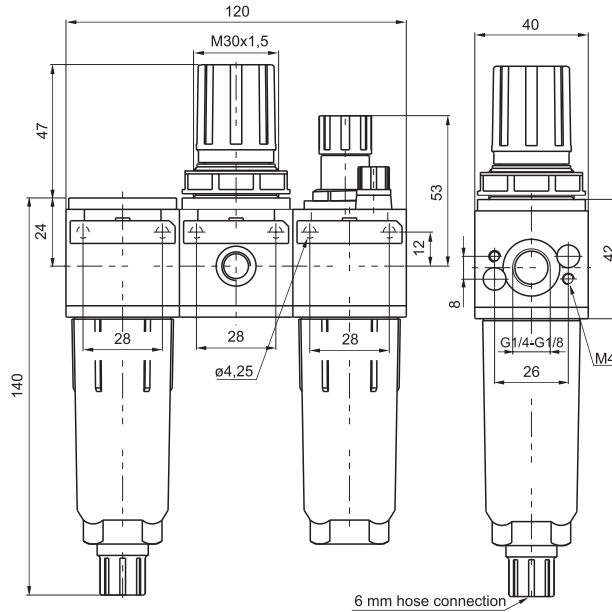


Construction and working characteristics

- Filter - diaphragm pressure regulator with relieving.
- Balanced poppet.
- Double filtering action: by air centrifuging and by replaceable and reusable HDPE porous filter element.
- Zinc alloy body reinforced technopolymer body with threaded brass insert connections
- Wall mounting possibility with M4 screws protected by covers.
- Lockable handle by simply pressing it downwards in the desired position.
- Transparent technopolymer bowls screwed to the body.
- Shock resistant bowl technopolymer protections.
- Manual and semi-automatic water drain valve; in the semi-automatic version the drainage happens when there is no pressure or by pushing the valve up-wards.
- Possibility to see the water level on 360 also with bowl protection assembled.
- Two pressure gauge connections with plug complete of seal.
- Panel mounting bracket.
- Automatic water drainage bowl available on request.
- Fog type lubrication with variable section orifice according to the flow.
- Possibility to see the min. and max. oil level on 360° also with bowl protection assembled.
- Transparent technopolymer sight dome with adjusting handle.
- Oil filling plug.

Technical characteristics

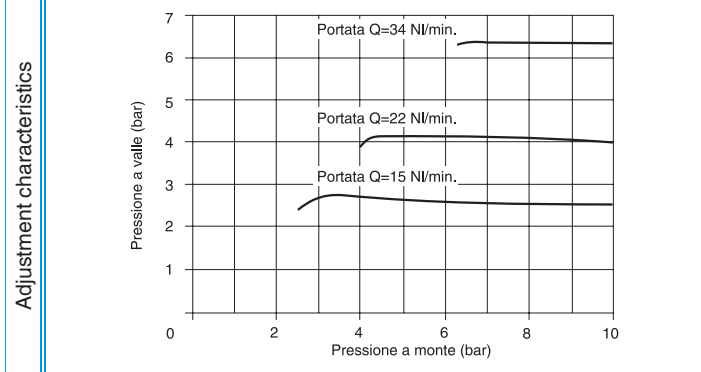
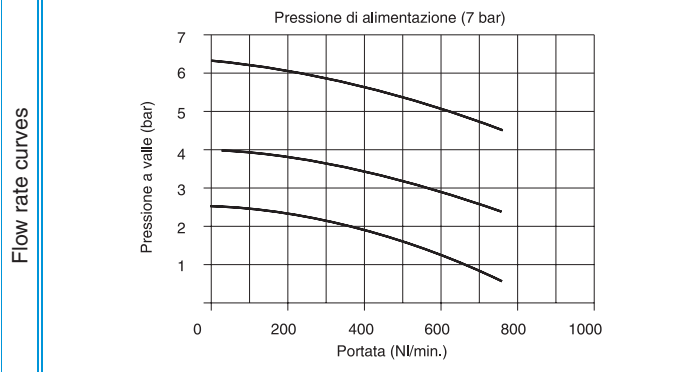
Connections	G 1/8" - G 1/4"
Max. Inlet pressure	13 bar - 1,3 MPa
Max. ambient temperature (at 10 bar)	50°C
Pressure gauge connections	G 1/8"
Weight with technopolymer body	gr. 295
Weight with zinc alloy body	gr. 560
Pressure range	0 - 2 bar / 0 - 4 bar 0 - 8 bar / 0 - 12 bar
Filter pore size	5 - 20 - 50
Bowl capacity	17 cm ³
Indicative oil drip rate	1 drop every 300/600 NI
Oil type	FD22 - HG32
Bowl capacity	32 cm ³
Assembly position	Vertical
Wall fixing screw	M4
Max. fitting torque on zinc alloy body	30 Nm
Max. fitting torque on technopolymer body	15 Nm
Min. operational flow at 6,3 bar	10 NI/min.



Ordering code	
17V07C.S.G.T	
VERSION	
V	0 = Zinc alloy body 1 = Technopolymer body
CONNECTIONS	
C	A = G 1/8" B = G 1/4"
Filter pore size	
S	A = 5 B = 20 C = 50
ADJUSTING RANGE	
G	A = 0 - 2 bar B = 0 - 4 bar C = 0 - 8 bar D = 0 - 12 bar
TYPE	
P	Bowl protection
T	S = Automatic drain PS = Bowl protection and Automatic drain

Example: 17107A.B.C.P

Service unit combination complete with filter - pressure regulator and lubricator size 1 G 1/8i connections, filter pore size 20 , adjusting range 0-8 bar and bowl protections with technopolymer body.



- Construction and working characteristics**
- Zinc alloy body or reinforced technopolymer body with threaded brass insert connections.
 - Wall mounting possibility with M4 screws protected by covers.
 - Transparent technopolymer bowls screwed to the body.
 - Shock resistant bowl technopolymer protections.
 - Double filtering action: by air centrifuging and by replaceable and reusable HDPE porous filter element.
 - Manual and semi-automatic water drain valve; in the semi-automatic version the drainage happens when there is no pressure or by pushing the valve up-wards.
 - Possibility to see the water level on 360° also with bowl protection assembled.
 - Diaphragm pressure regulator with relieving and balanced pop-pet.
 - Pressure adjusting lockable handle by simply pressing it downwards in the desired position.
 - Two pressure gauge connections with plug complete of seal.
 - Panel mounting bracket.
 - Automatic water drainage bowl available on request.
 - Fog type lubrication with variable section orifice according to the flow.
 - Possibility to see the min. and max. oil level on 360° also with bowl protection assembled.
 - Transparent technopolymer sight dome with adjusting handle.
 - Oil filling plug.

Technical characteristics

Connections	G 1/8" - G 1/4"
Max. Inlet pressure	13 bar - 1,3 MPa
Max. ambient temperature (at 10 bar)	50°C
Pressure gauge connections	G 1/8"
Weight with technopolymer body	gr. 375
Weight with zinc alloy body	gr. 755
Pressure range	0 - 2 bar / 0 - 4 bar 0 - 8 bar / 0 - 12 bar
Filter pore size	5 - 20 - 50
Bowl capacity	17 cm ³
Indicative oil drip rate	1 drop every 300/600 NI
Oil type	FD22 - HG32
Bowl capacity	32 cm ³
Assembly position	Vertical
Wall fixing screw	M4
Max. fitting torque on zinc alloy body	30 Nm
Max. fitting torque on technopolymer body	15 Nm
Min. operational flow at 6,3 bar	10 NI/min.



Ordering code

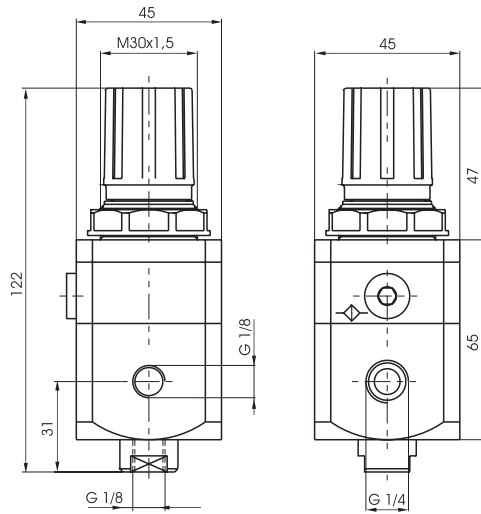
17112B.G

ADJUSTING RANGE

A = 0,1 - 2 bar

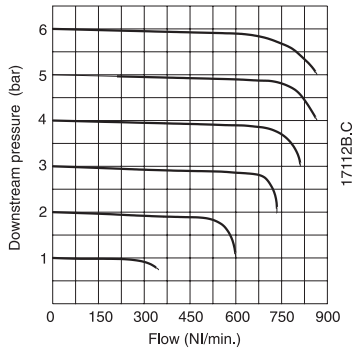
B = 0,1 - 4 bar

C = 0,1 - 7 bar

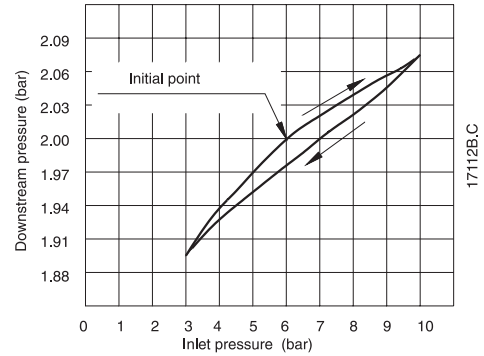


Example: 17112B.C
Pressure regulator with G 1/4" 0,1 - 7 bar

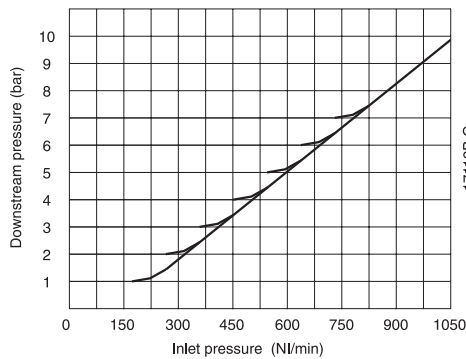
Flow rate curves



Adjustment characteristics



Flow rate curves

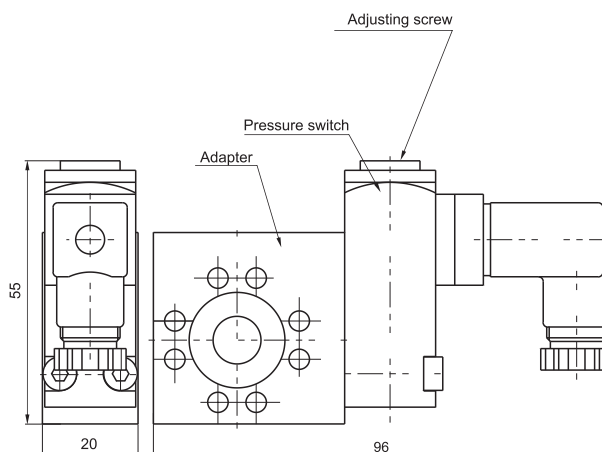


Construction and working characteristics

- Accurate capacity to maintain set pressure.
- Sensitivity combined with high relieving rates.
- High flow rate with extremely low pressure drop.
- Pressure adjusting lockable handle by simply pressing it downwards in the desired position.
- Body made with anodized zoll aluminium alloy
- Two pressure gauge connections with plug complete of seal.
- Ring nut for panel mounting.
- Once set, a constant bleed of air maintains the accuracy of the regulator.
- This controlled release is a characteric, not a fault.

Technical characteristics

Connections	G 1/4"
Max. Inlet pressure	10 bar - 1 MPa
Max. ambient temperature (at 10 bar)	50°C
Pressure gauge connections	G 1/8"
Weight	gr. 350
Pressure range	0,1 - 2 bar / 0,1 - 4 bar 0,1 - 7 bar
Assembly position	Any
Air flow (inlet pressure 10 bar)	5 NI/min
Max. fitting torque	15 Nm
Fluid	20 m filtered air and preferably non lubricated



Ordering code

17T

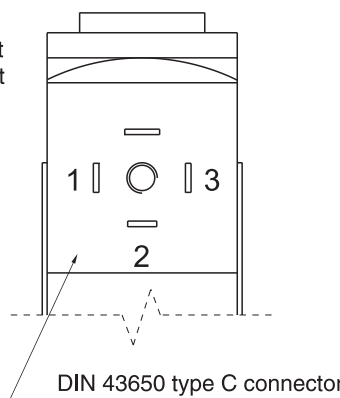
TYPE

- 14A = Pressure switch adapter
- T** 14B = Pressure switch
- 14C = Pressure switch complete

Example: 1714C
Pressure switch complete with adapter.

Connection

- 1 = Neutral
- 2 = N.C contact
- 3 = N.O contact



3

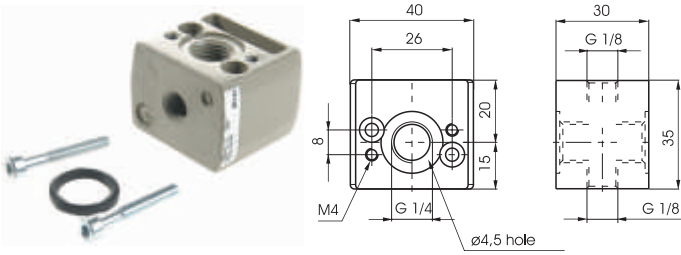
Construction and working characteristics

- The pressure switch complete with adapter has to be assembled between two elements of the FRL group. It cannot be utilized separately or at the end of the FRL group.
- The pressure switch can be set at desired pressure (pressure range from 2 to 10 bar) by rotating the adjusting screw.
- The electrical connection is made by mean of a 15 mm connector DIN 43650 type C.
- The microswitch contact could be normally closed or open (change over switch).

Technical characteristics

Max. Inlet pressure	13 bar - 1,3 MPa
Max. ambient temperature (at 10 bar)	50°C
Weight	gr. 160
Microswitch capacity	5A
Grade of protection (with connector assembled)	IP 65
Adjusting range	2 - 10 bar
Assembly position	Any

Air Intake

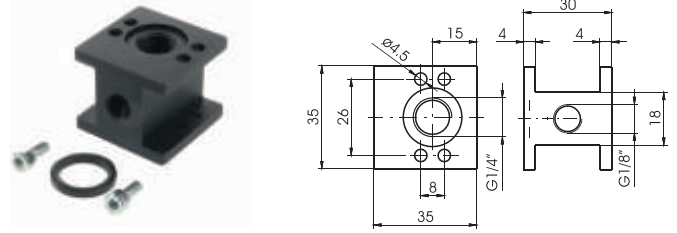


Ordering code

17140

Weight gr. 75

Air Intake - "H" profile



Ordering code

17140H

Weight gr. 50

Fixing bracket



Ordering code

17150

Weight gr. 32

Fixing bracket



Ordering code

170M5

Weight gr. 20

Assembling kit

Ordering code

1716^V

VERSION
^V 0 = Standard
 5 = for progressive start-up valve

Weight gr. 15



Assembling kit for manifold regulators

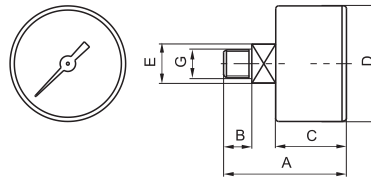
Ordering code

170M6

Weight gr. 20



Pressure gauge



DIMENSIONS

CODE	A	B	C	D	E	G	Weight gr.
17070A	44	10	26	41	14	1/8"	60
17070B	45	10	27	49	14	1/8"	80

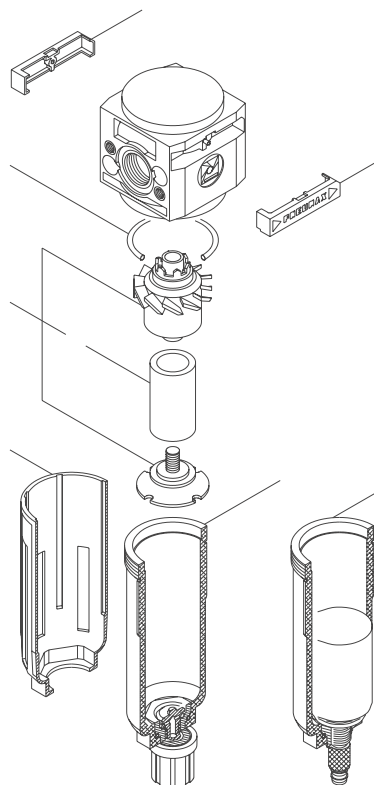
Ordering code

17070^{V.S}

VERSION
^V A = Dial ø40
 B = Dial ø50
 SCALE
^S A = Scale 0-4 bar
 B = Scale 0-6 bar
 C = Scale 0-12 bar

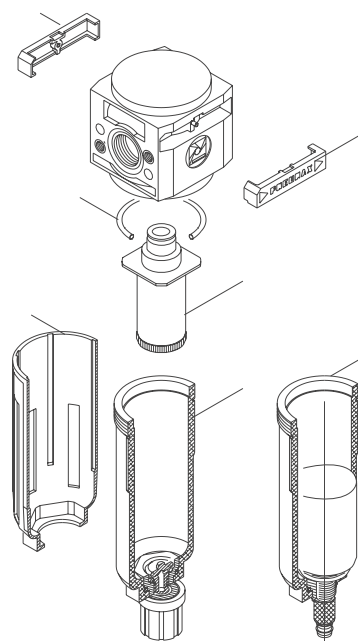
Filter

Pos.	Code	Description
1	RS/1701/10	Front tab
2	RS/1701/11	Rear tab
3	RS/OR 2125	Seal
4	RS/1701/13	Porous filter element 20
	RS/1701/52	Porous filter element 5
	RS/1701/53	Porous filter element 50
5	RS/1701/7	Bowl protection
6	RK1701A/013	Filter bowl c/w drain valve
7	RK1701A/018	Filter bowl c/w automatic drain
A	RK1701A/014	Filter group assembly 20
	RK1701A/021	Filter group assembly 5
	RK1701A/022	Filter group assembly 50



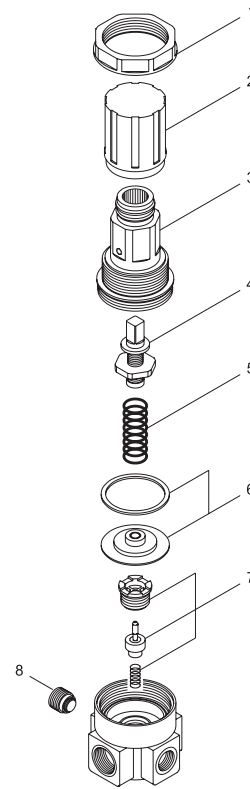
Coalescing filter

Pos.	Code	Description
1	RS/1701/93	Front tab
2	RS/1701/94	Rear tab
3	RS/OR 2125	Seal
4	RK1701A/027	Coalescent group 0.1
5	RS/1701/7	Bowl protection
6	RK1701A/013	Filter bowl c/w drain valve
7	RK1701A/018	Filter bowl c/w automatic drain



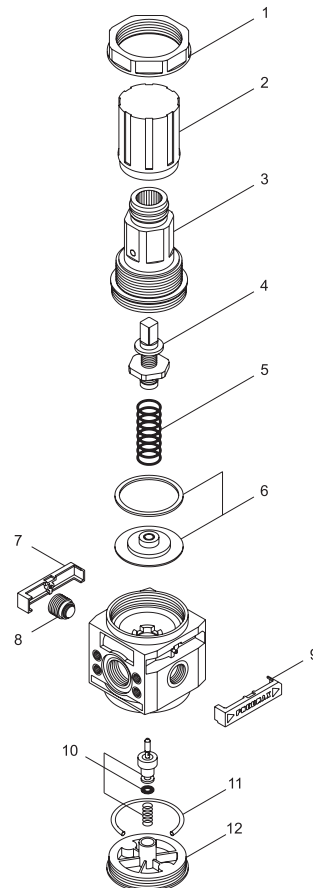
Panel mounting pressure regulator

Pos.	Code	Description
1	RS/1701/12	Lock nut
2	RS/1701/3	Adjusting knob
3	RS/1701/2	Adjusting support
4	RK1701A/016	Adjusting screw assembly
5	RS/1701/30	Spring 0- 2 bar range
	RS/1701/29	Spring 0- 4 bar range
	RS/1701/28	Spring 0- 8 bar range
	RS/1701/31	Spring 0- 12 bar range
6	RK1701A/012	Diaphragm assembly
	RK1701A/024	Diaphragm assembly w/o relieving
7	RK1701A/023	Ugello completo di otturatore
8	RK1701A/020	Plug c/w seal G1/8



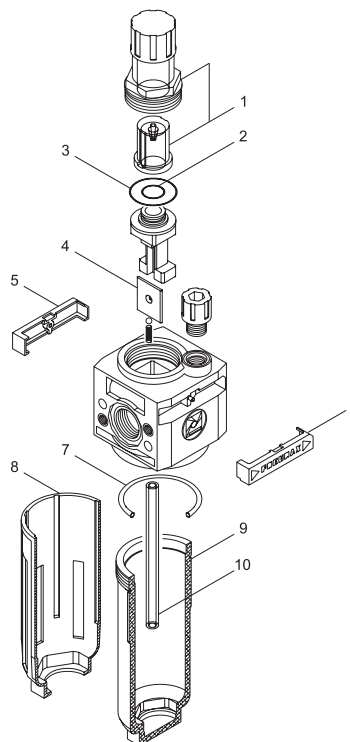
Modular pressure regulator

Pos.	Code	Description
1	RS/1701/12	Lock nut
2	RS/1701/3	Adjusting knob
3	RS/1701/2	Adjusting support
4	RK1701A/016	Adjusting screw assembly
5	RS/1701/30	Spring 0- 2 bar range
	RS/1701/29	Spring 0- 4 bar range
	RS/1701/28	Spring 0- 8 bar range
	RS/1701/31	Spring 0- 12 bar range
6	RK1701A/012	Diaphragm assembly
	RK1701A/024	Diaphragm assembly w/o relieving
7	RS/1701/11	Rear tab
8	RK1701A/020	Plug c/w seal G1/8
9	RS/1701/10	Front tab
10	RK1701A/025	Poppet c/w spring
11	RS/OR 2125	Seal
12	RS/1701/32	Plug



Lubricator

Pos.	Code	Description
1	RK1701A/026	Lubricator sight dome assembly
2	RS/OR 5x1,5	Seal
3	RS/OR 2075	
4	RS/1701/43	Venturi diaphragm
5	RS/1701/11	Rear tab
6	RS/1701/10	Front tab
7	RS/OR 2125	Seal
8	RS/1701/7	Bowl protection
9	RS/1701/41	Lubricator bowl
10	RS/1701/47	Oil tube



Filter-pressure regulator

Pos.	Code	Description
1	RS/1701/12	Lock nut
2	RS/1701/3	Adjusting knob
3	RS/1701/2	Adjusting support
4	RK1701A/016	Adjusting screw assembly
5	RS/1701/30	Spring 0- 2 bar range
	RS/1701/29	Spring 0- 4 bar range
	RS/1701/28	Spring 0- 8 bar range
	RS/1701/31	Spring 0- 12 bar range
6	RK1701A/012	Diaphragm assembly
	RK1701A/024	Gruppo memb. compl. senza relieving
7	RS/1701/11	Rear tab
8	RK1701A/020	Plug c/w seal G1/8
9	RS/1701/10	Front tab
10	RK1701A/025	Poppet c/w spring and seal
11	RS/OR 2125	Seal
12	RS/1701/13	Porous filter element 20
	RS/1701/52	Porous filter element 5
	RS/1701/53	Porous filter element 50
13	RS/1701/7	Bowl protection
14	RK1701A/013	Filter bowl c/w drain valve
15	RK1701A/018	Filter bowl c/w automatic drain
A	RK1701A/014	Filter group assembly 20
	RK1701A/021	Filter group assembly 5
	RK1701A/022	Filter group assembly 50

